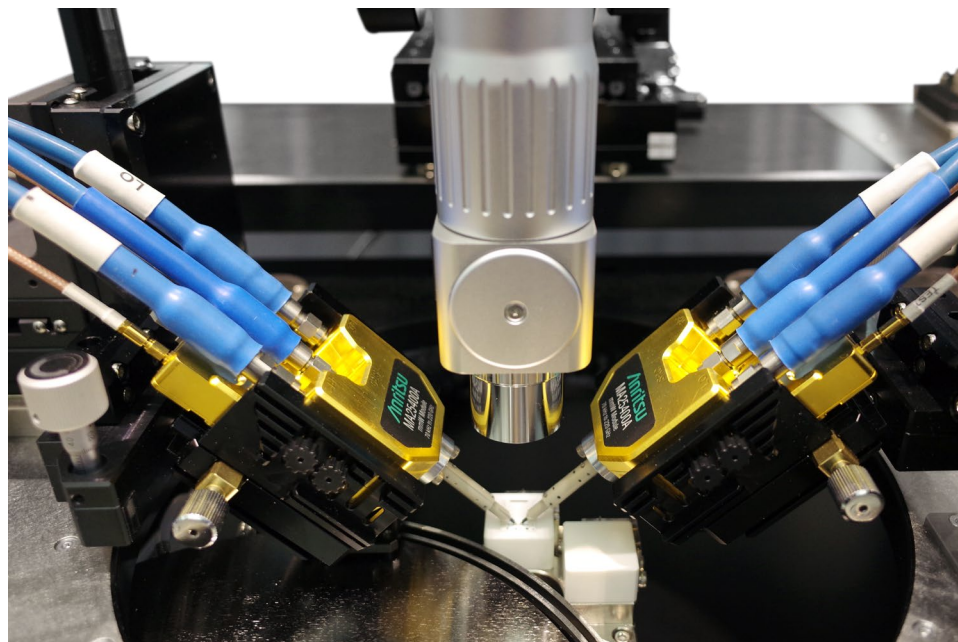


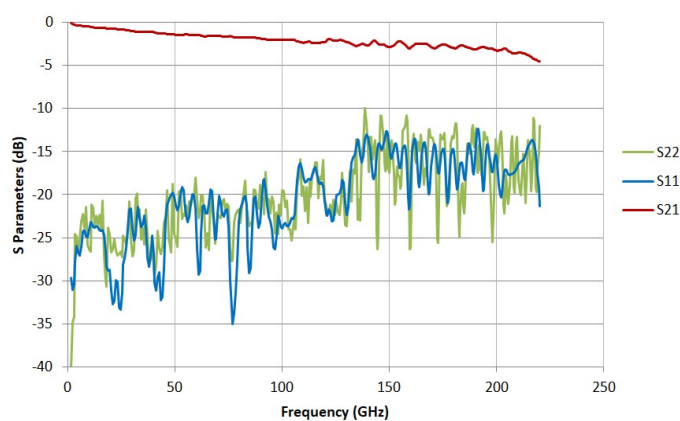
TITAN™ Probe DC to 220 GHz



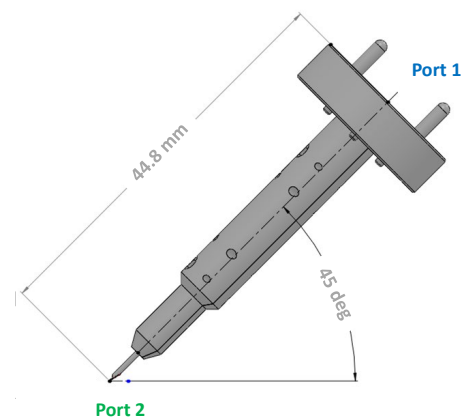
CHARACTERISTICS

Tip material	Ni alloy
Ground and signal alignment error	< +/- 3 μm
Contact footprint width	15 μm
Contact resistance on Au	< 6 m Ω
Contact resistance on Al	< 60 m Ω
Thermal range	-55 °C ... +150 °C
Pitch range	50 μm , 75 μm and 100 μm
Tip configuration	GSG
Frequency range	DC to 220 GHz

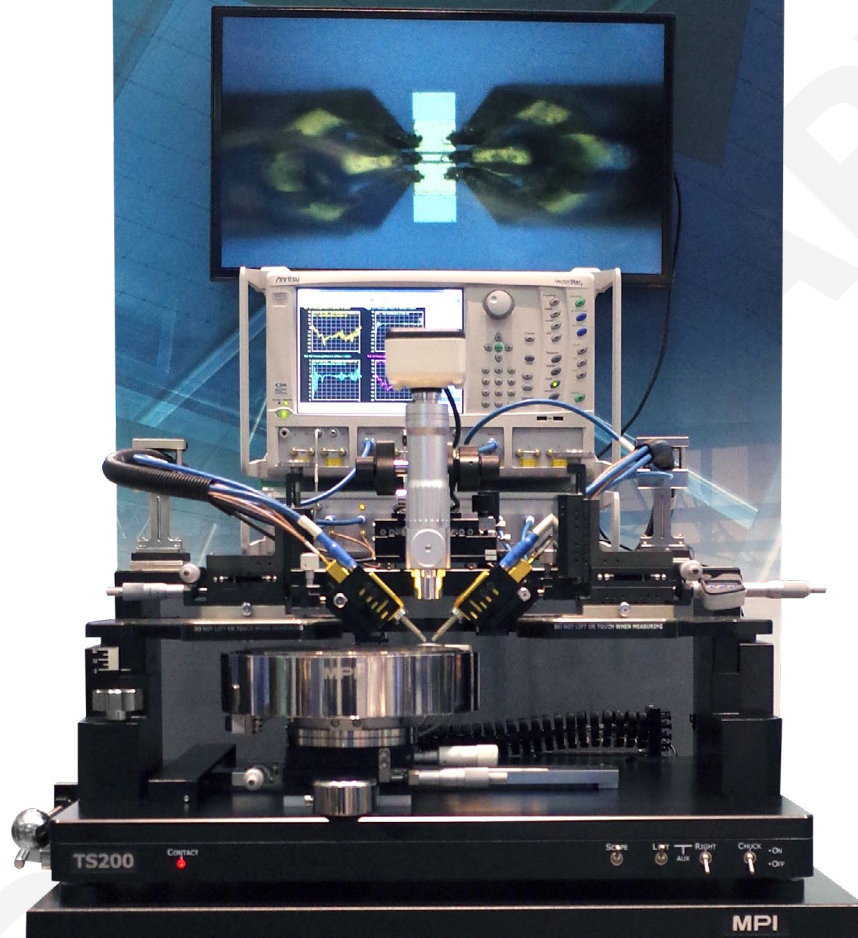
TYPICAL ELECTRICAL CHARACTERISTICS



BODY DIMENSIONS



220 GHz Broadband VNA



*See MPI Corporation's Terms and Conditions of Sale for more details.

Direct contact:
Asia region: ast-asia@mpi-corporation.com
EMEA region: ast-europe@mpi-corporation.com
America region: ast-americas@mpi-corporation.com

MPI global presence: for your local support, please find the right contact here:
www.mpi-corporation.com/ast/support/local-support-worldwide

MPI Global Presence

